

ORBIT RECESSED - S3 RING PATTERNS



2.795" W X 3.937" H (3.818" with Flange)

PAL Architectural Lighting presents the new LASSO ORBIT RECESSED - S3. Available in three distinct sizes, the Recessed - S3 round patterns fit into drywall, metal pan, concrete, timber and T-Bar grid ceilings.

At only 2.795" in width, the ORBIT - S3 is a sleek, compact form that creates a minimal spatial footprint, while at the same time creating a striking architectural statement.

Type:

Project Name:

Catalog Number:

SPECIFICATIONS

Housing

Constructed of extruded aluminum and available in three standard ring sizes: 34", 66", and 96" diameter.

Standard flange finish is textured matte white or textured matte black. Custom flange colors are also available.

Lens/Diffusers

(FAL) Frosted acrylic snap-in lens, with magnetic retention location locks.

(PL) Heavy-duty polycarbonate snap-in lens, with magnetic retention location locks. Lens is IK08 rated for impacts.

Gear Tray/LED Module

Removeable gear tray is constructed of solid aluminum, has LED module attached and is designed for quick and simple 'single person' installation or removal.

Color Temperatures/CRI

LED light sources are available for the following Co-ordinated Color Temperatures (CCT):

Standard: 3000K, 3500K, 4000K, & 5000K

Tunable White: Variable CCT range from 2700K thru 6500K.

RGBW: (Red, Green, Blue, White) color-changing logic module is rated at 90+ CRI and is available in standard High Output and Medium Output.

Contact factory for available custom outputs.

Color Rendering Index (CRI): Standard: 90+

Warranty

10-year limited warranty. No other warranty is expressed or implied. Complete warranty terms can be accessed by visiting:

<https://pal-lighting.com/company/warranty>

Certifications

Fixtures are UL listed for use in 'Dry or Damp Applications'. Fixtures are CE listed for the European market. Fixtures also carry an EMC rating (electromagnetic compatibility).

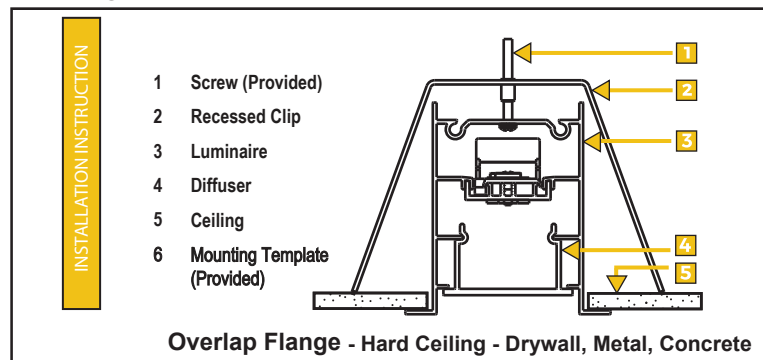


34" Diameter

66" Diameter

96" Diameter

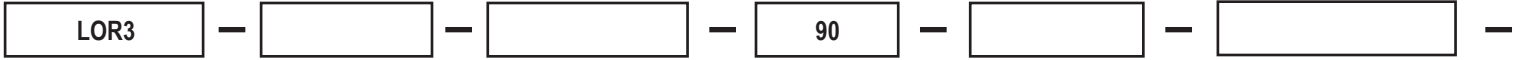
Mounting



*Link to Installation Instructions



ORDERING GUIDE



Series	Outputs	Color Temp. (CCT)	Color Render	Round Patterns	Flange/Ceiling Type
LOR3	LASSO ORBIT RECESSED - S3	HO High Output 875 Lms/Ft MO Medium Output 475 Lms/Ft CO ____ **Custom Output	Standard: K30 3000 Kelvin K35 3500 Kelvin K40 4000 Kelvin K50 5000 Kelvin Optional: TW 2700K thru 6500K (Tunable White) RGBW Red/Green/Blue/White (Color Changing)	90 90 CRI 34 34" Diameter 66 66" Diameter 96 96" Diameter	OF Overlap Flange - Drywall, Metal, Wood, Concrete and T-Bar Ceilings



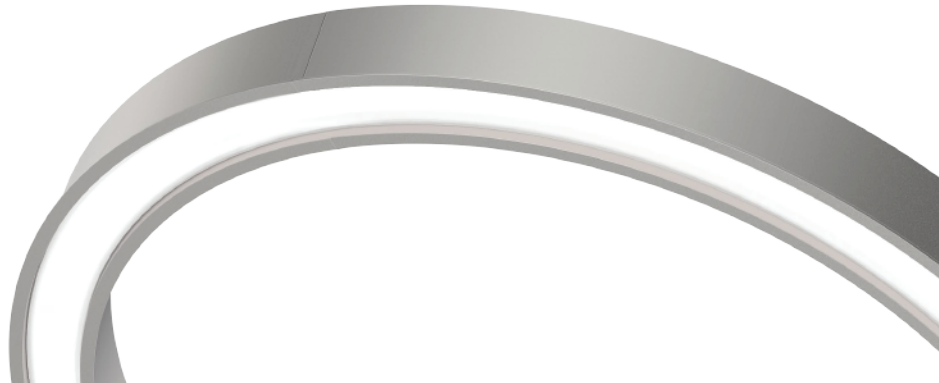
Flange Color	Mounting	Lenses / Diffusers	Voltage	Drivers - Dimming	Drivers - Tunable White / RGBW
F01M Textured Matte White (Standard) F11M Textured Matte Black (Standard) FCC Custom Color - RAL Color # ____	RCA Recessed Clip Assembly Mounting Template Included (Standard)	FAL Frosted Acrylic Lens PL Polycarbonate Lens	UNV Universal Voltage (120V - 277V)	DIM10 Dimming 100% to 10% DIM5 Dimming 100% to 5% DIM1 Dimming 100% to 1% DIM0 Dimming 100% to 0%	TW DALI protocol driver - Tunable White Color Tuning RGBW DMX protocol driver - RGBW Red/Green/Blue/White Color Tuning



Sensor Options	Emergency Options	Control Options
OCC Occupancy/Motion Sensor DS Daylight/Photocell Sensor	EBPH Emergency Battery Pack	0-10V 0-10V protocol DALI DALI protocol (TW) DMX DMX protocol (RGBW) CASAMBI Casambi Protocol Wireless Control System

Notes:

1. All fixtures are factory pre-wired for a single circuit.
2. 90+ CRI standard power supply (driver) is UL recognized, and is available with 0-10V dimming capability as well as 120 thru 277 universal voltage.
3. Tunable White power supply (driver) is UL recognized, and is compatible with DALI control protocols.
4. RGBW power supply (driver) is UL recognized, and is compatible with DMX control protocols.
5. LASSO ORBIT RECESSED - S3 ring fixture patterns are IP20 rated - for indoor use only.
6. Mounting Template - matching the fixture pattern shape - included with the fixtures.

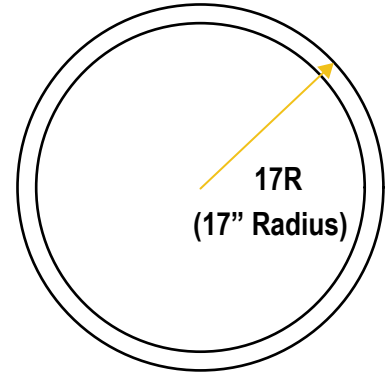


ORBIT RECESSED - S3 RING PATTERNS

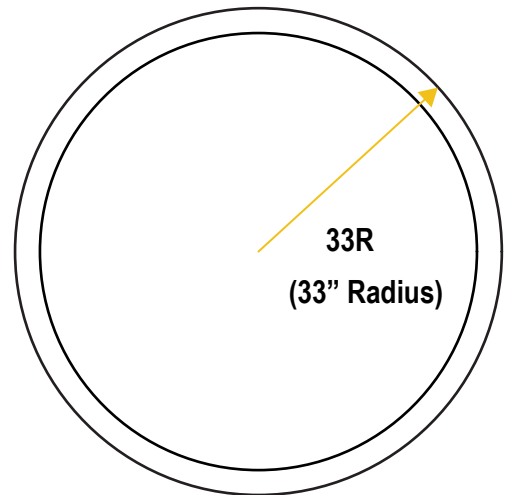
Standard Diameter Options

DATA TABLE

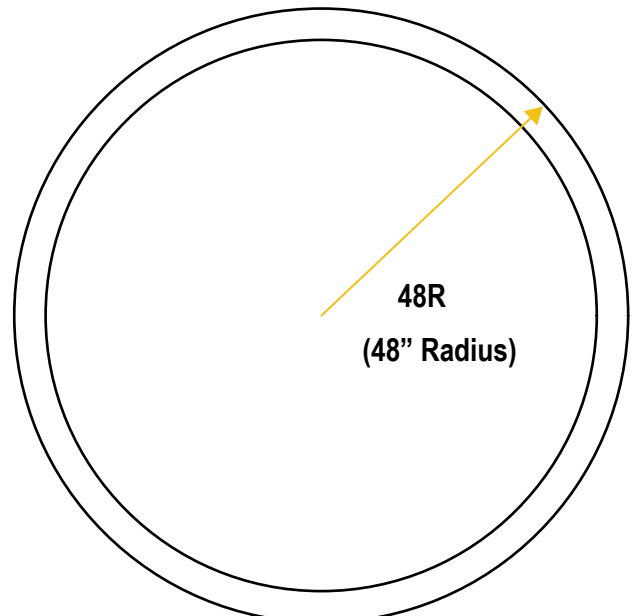
Optic Module LED Engine	Optimized	CRI	90+
		Lumen Maintenance	82,000 Hours
Warranty	10 years		
Dimensions	Profile size: 2.795" W X 3.937" H - Overall Patterns: 34" (35" w/Flange), 66" (67" w/Flange), 96" (97" w/Flange)		
Weight	Orbit 34" Pattern: 28.6 lbs. / Orbit 66" Pattern: 55 lbs. / Orbit 96" Pattern: 81.5 lbs.		
IP Rating	IP20 (dry indoor application only)		
Compatible ceiling	Suitable for drywall ceilings, metal pan, concrete, timber & T-Bar Grid ceilings		
Mounting	Gyprock (drywall) clips as standard		



34" Diameter



66" Diameter



96" Diameter